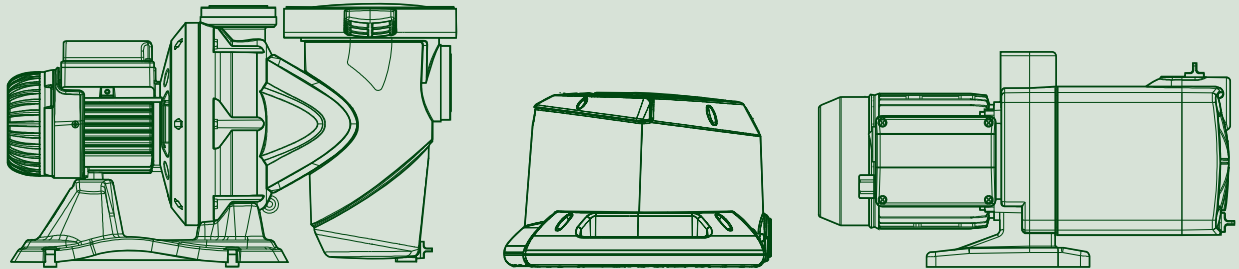




WATER • TECHNOLOGY

# SWIMMING POOL AND SALT WATER PUMPS



# TECHNICAL CATALOGUE



### TECHNICAL DATA

**Operating range:** up to 42 m<sup>3</sup>/h with head of up to 22 metres  
**Pumped liquid:** clean water, or slightly contaminated water with suspended solid debris, or long fibres; highly aggressive water with high percentage of chlorine/bromine and PHMB (Polyhexamethylene biguanide), or chlorine electrolysis treated water  
**PH Range:** 6,5-8,4  
**Pumped liquid temperature range:** up to 60 °C  
**Maximum ambient temperature:** 50 °C  
**Maximum operating pressure:** 2.5 bar  
**Nominal working pressure:** 0,8 - 1,2 Bar (ideally 1 Bar)  
**Installation:** fixed or portable, horizontal position  
**Special executions on request:** alternative frequencies and voltages  
**Connectors on request:** 2"/50 - 63 (two connectors+O-ring - see "Accessories") kit  
**Standard of reference:** IEC - 60364  
**Protection class of the motor :** IP55  
**Protection class at the terminal board:** IP 55  
**Insulation class:** F  
**Standard voltage:** single-phase 220/240 V - 50 Hz  
 three-phase 230/400 V - 50 Hz

### APPLICATIONS

High performance self-priming centrifugal electric pumps with built-in high capacity prefilter. Motor completely watertight. Extremely quiet and highly reliable, developed for water circulation and filtration in domestic and residential swimming pools. Also suitable for specific applications requiring handling of aggressive liquids in the fishing, agricultural, and industrial sectors.

### CONSTRUCTION FEATURES OF THE PUMP

Fibreglass reinforced technopolymer pump body. Transparent antioxidant polycarbonate prefilter cover ensuring constant visibility over the long period. Nylon strainer. Fibreglass reinforced technopolymer impeller designed to ensure total cover and insulation of the motor shaft from the pumped liquid. Reinforced technopolymer diffuser. Carbon / alumina / NBR / AISI 316 mechanical seal. NBR pump body O-ring, AISI 316 stainless steel reinforcement ring nuts and screws. Butterfly filling and drain plugs that can be removed and refitted without tools.

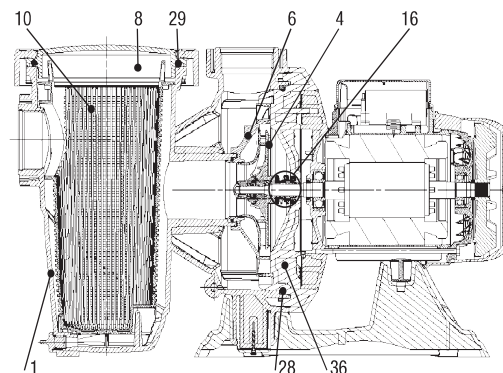
### CONSTRUCTION FEATURES OF THE MOTOR

Continuous service 2-pole asynchronous motor (S1) with a wide power range, from 0,5 HP to 3 HP, both single and three phase (see technical specifications). Die cast aluminium motor casing with cataphoresis paint coating to avoid oxidation also in aggressive environments. Support base supplied with rubber feet to reduce vibrations. Single phase version with built-in thermal and current protection, and permanent split capacitor (PSC) inside the terminal box for all versions.

### MATERIALS

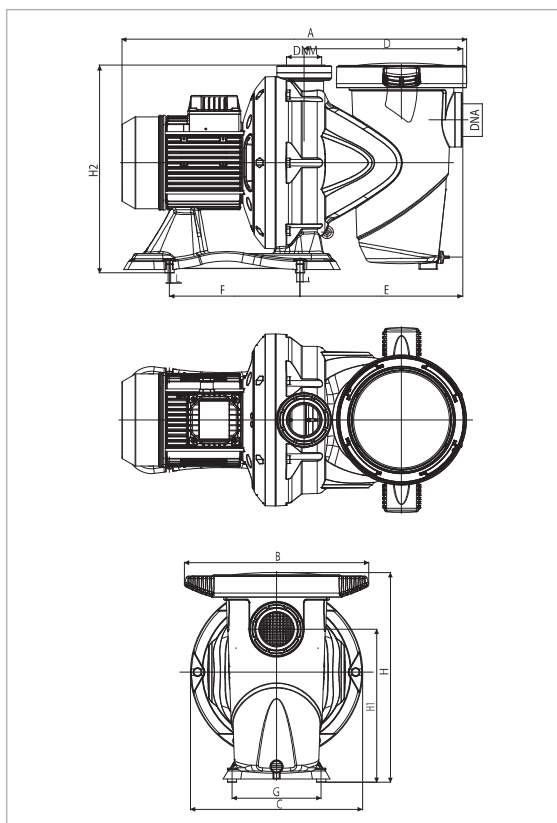
N.	PARTS*	MATERIALS
1	PUMP BODY	REINFORCED TECHNOPOLYMER
4	IMPELLER	REINFORCED TECHNOPOLYMER
6	DIFFUSER	REINFORCED TECHNOPOLYMER
8	STRAINER COVER	POLYCARBONATE
10	STRAINER	TECHNOPOLYMER
16	MECHANICAL SEAL	CARBON/ALUMINA/NBR/AISI316
28	O-RING	NBR
29	O-RING	NBR
36	SEAL HOLDING DISC	REINFORCED, STABILISED TECHNOPOLYMER

\* In contact with the liquid

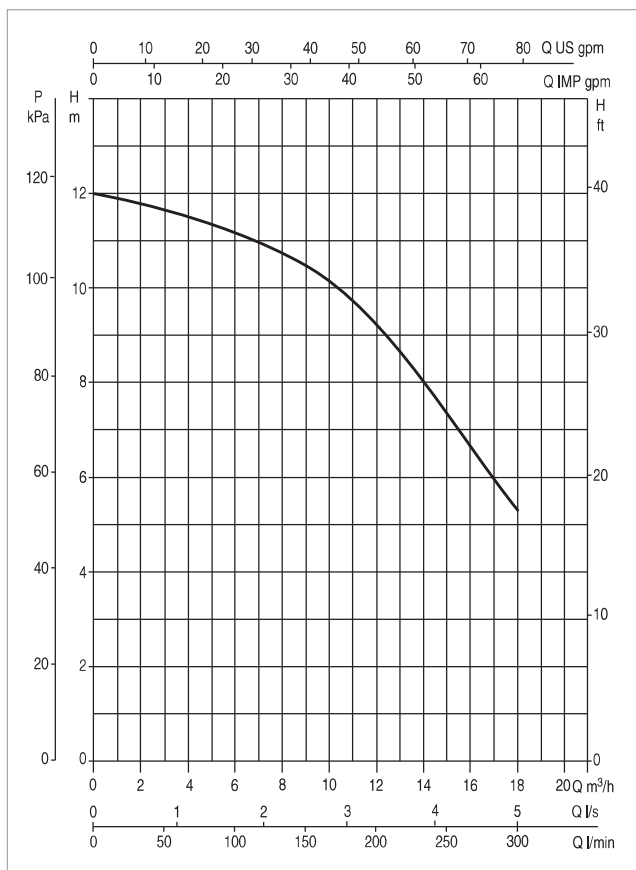


## EUROSWIM 50 - SWIMMING POOL PUMPS

Pumped liquid temperature range: up to 60 °C - Maximum ambient temperature: +50 °C



The performance curves are based on kinematic viscosity values = 1 mm<sup>2</sup>/s and density equal to 1000 kg/m<sup>3</sup>. Curve tolerance according to ISO 9906.



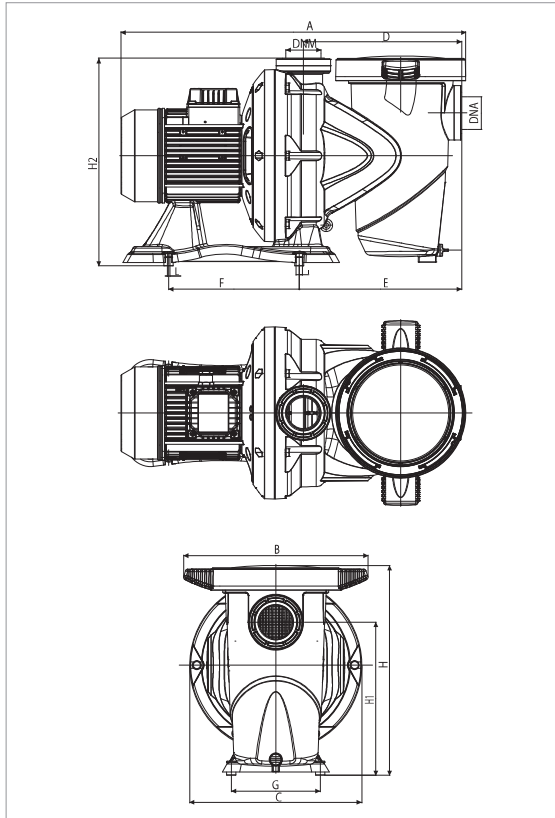
MODEL	Q= m³/h	0	3	6	9	12	18	21	24	30	36	42
	Q=l/min	0	50	100	150	200	300	350	400	500	600	700
<b>EUROSWIM 50 M</b>	H (m)	12,0	11,7	11,2	10,5	9,3	5,3					

MODEL	POWER INPUT 50 Hz	P1 MAX kW	P2 NOMINAL		In A	CAPACITOR		MAX NOISE LEVEL db (A)
			kW	HP		µF	Vc	
<b>EUROSWIM 50 M</b>	1 x 220 - 240 V ~	0,9	0,33	0,5	4,2	16	450	53

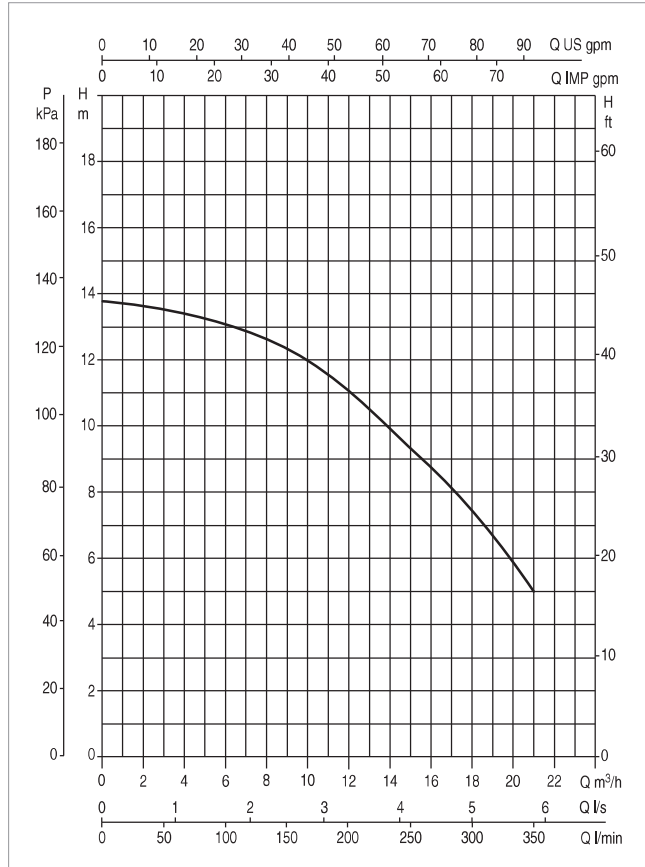
MODEL	A	B	C	D	E	F	G	H	H1	H2	I	L	DNA	DNM	PACKING DIMENSIONS			WEIGHT kg	Q.TY X PALLET
															L/A	L/B	H		
<b>EUROSWIM 50 M</b>	536	302	242	257	265	220	150	312	222	314	11	6,5	2" F	2" F	600	360	400	16	8

# EUROSWIM 75 - SWIMMING POOL PUMPS

Pumped liquid temperature range: up to 60 °C - Maximum ambient temperature: +50 °C



The performance curves are based on kinematic viscosity values = 1 mm<sup>2</sup>/s and density equal to 1000 kg/m<sup>3</sup>. Curve tolerance according to ISO 9906.



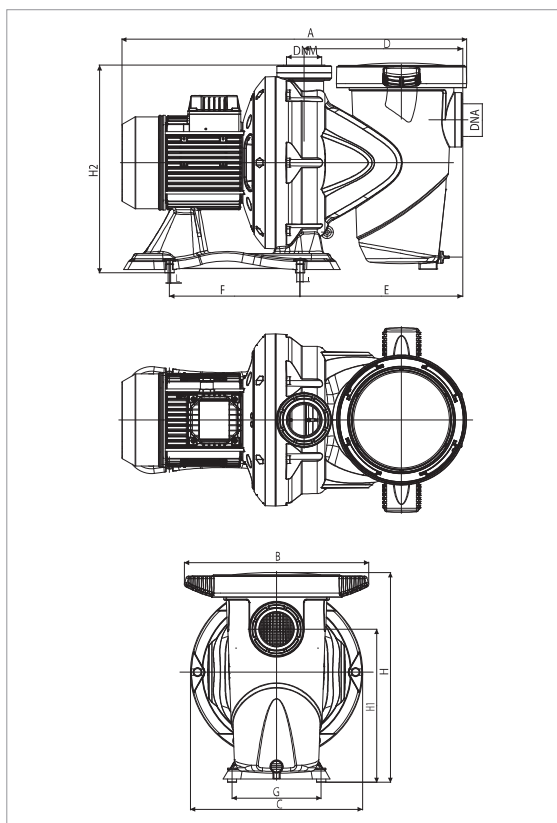
MODEL	Q= m³/h	0	3	6	9	12	18	21	24	30	36	42
	Q=l/min	0	50	100	150	200	300	350	400	500	600	700
<b>EUROSWIM 75 M-T</b>	H (m)	13,8	13,5	13,1	12,4	11,1	7,5	5				

MODEL	POWER INPUT 50 Hz	MOTOR TYPE	P1 MAX kW	P2 NOMINAL		I <sub>n</sub> A	CAPACITOR		MAX NOISE LEVEL db (A)
				kW	HP		µF	Vc	
<b>EUROSWIM 75 M</b>	1 x 220-240 V ~		1	0,5	0,75	5	20	450	56
<b>EUROSWIM 75 T</b>	3 x 230-400 V ~	IE3	0,87	0,5	0,75	3,1/1,8	-	-	56
<b>EUROSWIM 75 T</b>	3 x 230-400 V ~	IE2	0,95	0,5	0,75	3,5/2	-	-	56

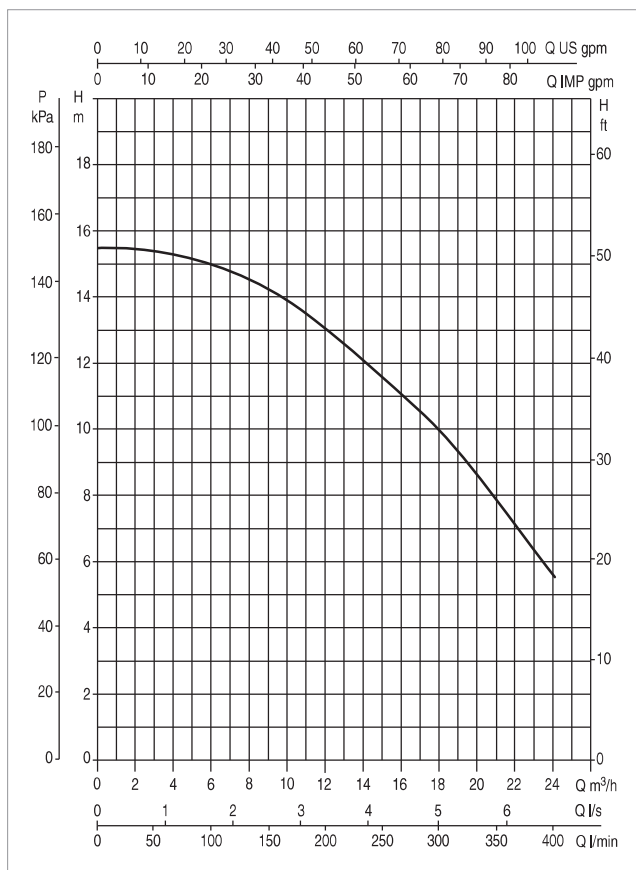
MODEL	A	B	C	D	E	F	G	H	H1	H2	I	L	DNA	DNM	PACKING DIMENSIONS			WEIGHT kg	Q.TY X PALLET
															L/A	L/B	H		
<b>EUROSWIM 75 M</b>	552	302	245	257	265	220	150	312	222	314	11	6,5	2" F	2" F	600	360	400	16,5	8
<b>EUROSWIM 75 T</b>	552	302	245	257	265	220	150	312	222	314	11	6,5	2" F	2" F	600	360	400	16,5	8

## EUROSWIM 100 – SWIMMING POOL PUMPS

Pumped liquid temperature range: up to 60 °C - Maximum ambient temperature: +50 °C



The performance curves are based on kinematic viscosity values = 1 mm<sup>2</sup>/s and density equal to 1000 kg/m<sup>3</sup>. Curve tolerance according to ISO 9906.



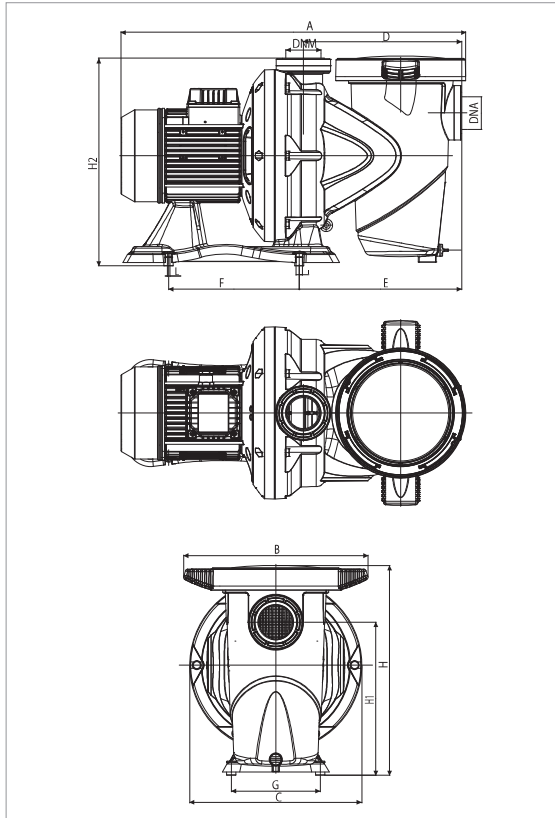
MODEL	Q= m <sup>3</sup> /h	0	3	6	9	12	18	21	24	30	36	42
	Q= l/min	0	50	100	150	200	300	350	400	500	600	700
<b>EUROSWIM 100 M-T</b>	H (m)	15.4	15.4	15	14.2	13.1	10.0	7.8	5.6			

MODEL	POWER INPUT 50 Hz	MOTOR TYPE	P1 MAX kW	P2 NOMINAL		I <sub>n</sub> A	CAPACITOR		MAX NOISE LEVEL db (A)
				kW	HP		µF	V <sub>c</sub>	
<b>EUROSWIM 100 M</b>	1 x 220-240 V ~		1,3	0,75	1	6,3	25	450	57
<b>EUROSWIM 100 T</b>	3 x 230-400 V ~	IE3	1,1	0,75	1	3,8/2,2	-	-	57
<b>EUROSWIM 100 T</b>	3 x 230-400 V ~	IE2	1,2	0,75	1	4/2,4	-	-	57

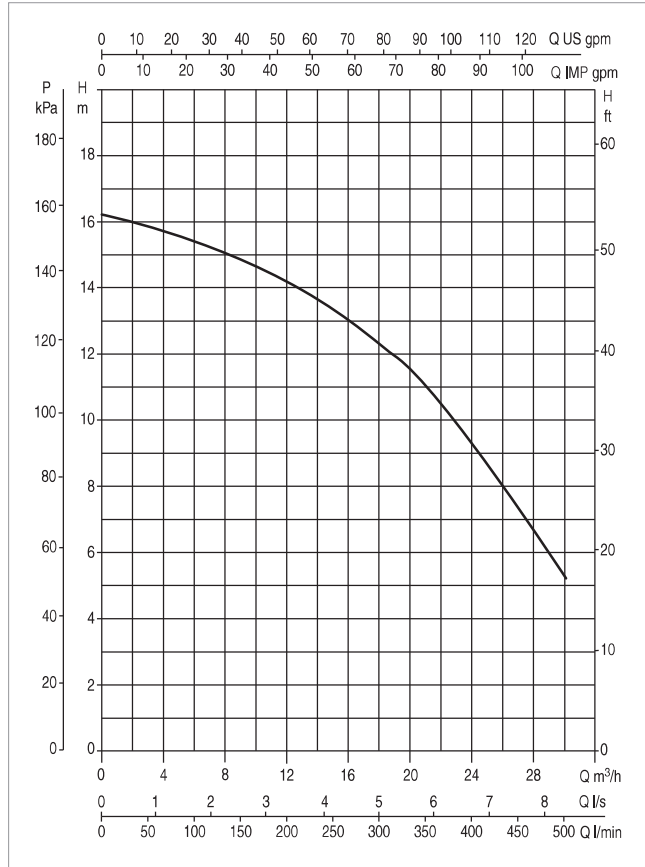
MODEL	A	B	C	D	E	F	G	H	H1	H2	I	L	DNA	DNM	PACKING DIMENSIONS			WEIGHT kg	Q.TY X PALLET
															L/A	L/B	H		
<b>EUROSWIM 100 M</b>	552	302	245	257	265	220	150	312	222	314	11	6,5	2" F	2" F	600	360	400	17	8
<b>EUROSWIM 100 T</b>	552	302	245	257	265	220	150	312	222	314	11	6,5	2" F	2" F	600	360	400	17	8

# EUROSWIM 150 - SWIMMING POOL PUMPS

Pumped liquid temperature range: up to 60 °C - Maximum ambient temperature: +50 °C



The performance curves are based on kinematic viscosity values = 1 mm<sup>2</sup>/s and density equal to 1000 kg/m<sup>3</sup>. Curve tolerance according to ISO 9906.



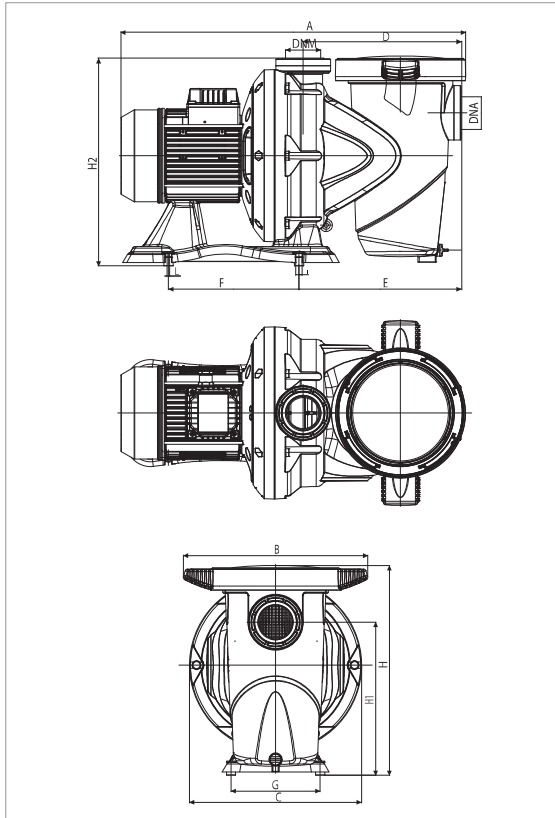
MODEL	Q= m <sup>3</sup> /h	0	3	6	9	12	18	21	24	30	36	42
	Q=l/min	0	50	100	150	200	300	350	400	500	600	700
<b>EUROSWIM 150 M-T</b>	H (m)	16.2	15.9	15.4	14.9	14.2	12.4	11.1	9.3	5.3		

MODEL	POWER INPUT 50 Hz	MOTOR TYPE	P1 MAX kW	P2 NOMINAL		I <sub>n</sub> A	CAPACITOR		MAX NOISE LEVEL db (A)
				kW	HP		µF	Vc	
<b>EUROSWIM 150 M</b>	1 x 220-240 V ~		1,6	1,5	0,75	7	31,5	450	59
<b>EUROSWIM 150 T</b>	3 x 230-400 V ~	IE3	1,5	1,5	0,75	5,4/3,1	-	-	59
<b>EUROSWIM 150 T</b>	3 x 230-400 V ~	IE2	1,5	1,1	1,5	6,5/3,7	-	-	59

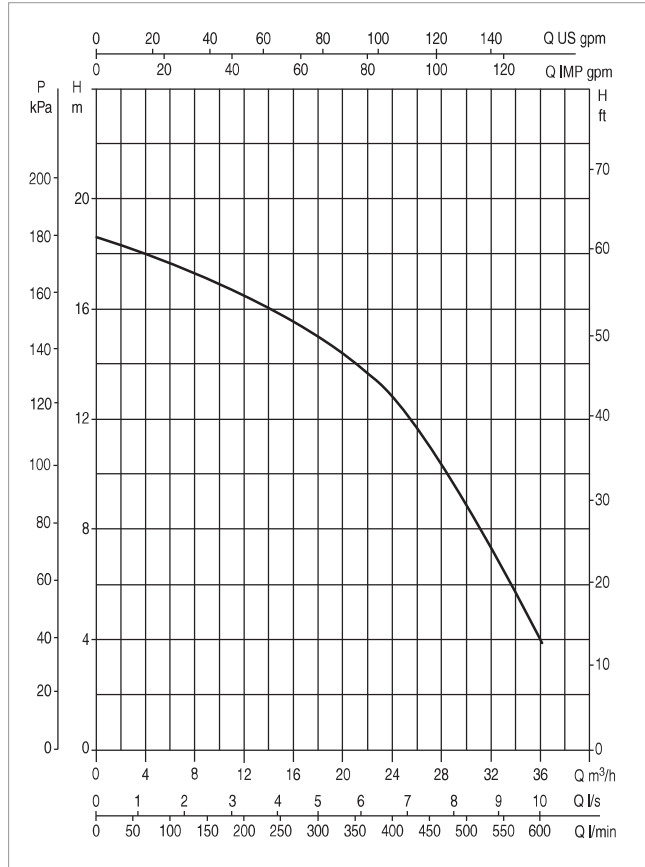
MODEL	A	B	C	D	E	F	G	H	H1	H2	I	L	DNA	DNM	PACKING DIMENSIONS			WEIGHT kg	Q.TY X PALLET
															L/A	L/B	H		
<b>EUROSWIM 150 M</b>	574	312	290	267	274	220	150	347	258	350	11	6.5	2" F	2" F	720	350	430	22	6
<b>EUROSWIM 150 T</b>	574	312	290	267	274	220	150	347	258	350	11	6.5	2" F	2" F	720	350	430	22	6

## EUROSWIM 200 – SWIMMING POOL PUMPS

Pumped liquid temperature range: up to 60 °C - Maximum ambient temperature: +50 °C



The performance curves are based on kinematic viscosity values = 1 mm<sup>2</sup>/s and density equal to 1000 kg/m<sup>3</sup>. Curve tolerance according to ISO 9906.



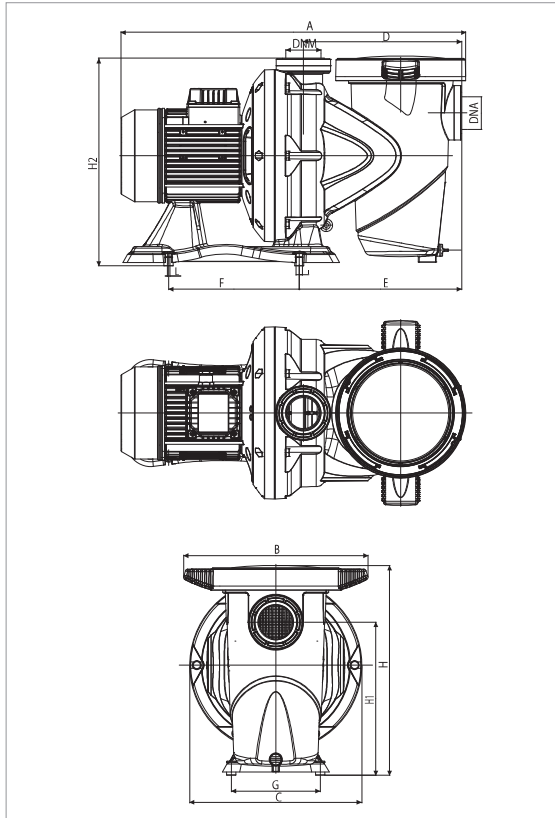
MODEL	Q= m³/h	0	3	6	9	12	18	21	24	30	36	42
	Q=l/min	0	50	100	150	200	300	350	400	500	600	700
<b>EUROSWIM 200 M-T</b>	H (m)	18.6	18.2	17.7	17.1	16.5	15	14.1	12.8	9	4	

MODEL	POWER INPUT 50 Hz	MOTOR TYPE	P1 MAX kW	P2 NOMINAL		I <sub>n</sub> A	CAPACITOR		MAX NOISE LEVEL db (A)
				kW	HP		µF	V <sub>c</sub>	
<b>EUROSWIM 200 M</b>	1 x 220-240 V ~		1.9	1.5	2	8.6	40	450	62
<b>EUROSWIM 200 T</b>	3 x 230-400 V ~	IE3	1.8	1.5	2	5.9/3.4	-	-	62
<b>EUROSWIM 200 T</b>	3 x 230-400 V ~	IE2	1.9	1.5	2	7.2/4	-	-	62

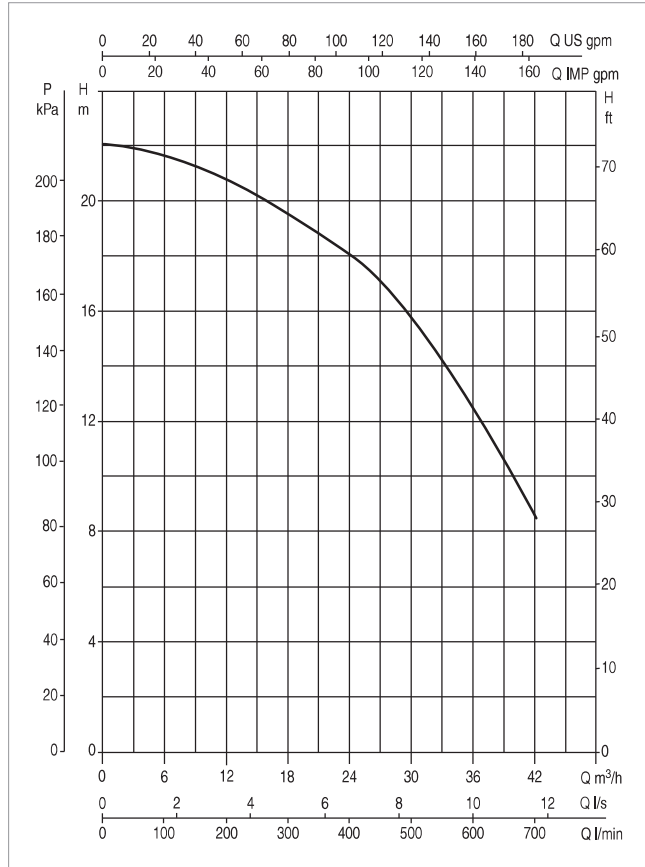
MODEL	A	B	C	D	E	F	G	H	H1	H2	I	L	DNA	DNM	PACKING DIMENSIONS			WEIGHT kg	Q.TY X PALLET
															L/A	L/B	H		
<b>EUROSWIM 200 M</b>	648	312	290	267	274	220	150	347	258	350	11	6.5	2" F	2" F	720	350	430	24	6
<b>EUROSWIM 200 T</b>	574	312	290	267	274	220	150	347	258	350	11	6.5	2" F	2" F	720	350	430	22	6

# EUROSWIM 300 - SWIMMING POOL PUMPS

Pumped liquid temperature range: up to 60 °C - Maximum ambient temperature: +50 °C



The performance curves are based on kinematic viscosity values = 1 mm<sup>2</sup>/s and density equal to 1000 kg/m<sup>3</sup>. Curve tolerance according to ISO 9906.



MODEL	Q= m <sup>3</sup> /h	0	3	6	9	12	18	21	24	30	36	42
	Q=l/min	0	50	100	150	200	300	350	400	500	600	700
<b>EUROSWIM 300 M-T</b>	H (m)	22,0	21,9	21,7	21,3	20,8	19,6	18,9	18,1	15,9	12,5	8,6

MODEL	POWER INPUT 50 Hz	MOTOR TYPE	P1 MAX kW	P2 NOMINAL		I <sub>n</sub> A	CAPACITOR		MAX NOISE LEVEL db (A)
				kW	HP		µF	Vc	
<b>EUROSWIM 300 M</b>	1 x 220-240 V ~		2,7	2,2	3	12	40	450	64
<b>EUROSWIM 300 T</b>	3 x 230-400 V ~	IE3	2,5	2,2	3	7,8/4,5	-	-	64
<b>EUROSWIM 300 T</b>	3 x 230-400 V ~	IE2	2,8	2,2	3	8,7/5	-	-	64

MODEL	A	B	C	D	E	F	G	H	H1	H2	I	L	DNA	DNM	PACKING DIMENSIONS			WEIGHT kg	Q.TY X PALLET
															L/A	L/B	H		
<b>EUROSWIM 300 M</b>	648	312	290	267	274	220	150	347	258	350	11	6,5	2" F	2" F	720	350	430	24,5	6
<b>EUROSWIM 300 T</b>	648	312	290	267	274	220	150	347	258	350	11	6,5	2" F	2" F	720	350	430	24,5	6



**DAB**  
PUMPS SELECTOR

On-line product selection



**DAB PUMPS LTD.**  
6 Gilberd Court  
Newcomen Way  
Severalls Business Park  
Colchester  
Essex  
CO4 9WN - UK  
salesuk@dwtgroup.com  
Tel. +44 0333 777 5010



**DAB PUMPS IBERICA S.L.**  
Calle Verano 18-20-22  
28850 - Torrejón de Ardoz - Madrid  
Spain  
Info.spain@dwtgroup.com  
Tel. +34 91 6569545  
Fax: + 34 91 6569676



**DAB PUMPS SOUTH AFRICA (PTY) LTD**  
Twenty One Industrial Estate,  
16 Purlin Street, Unit B, Warehouse 4  
Olifantsfontein - 1666 - South Africa  
info.sa@dwtgroup.com  
Tel. +27 12 361 3997



**DAB PUMPS BV**  
"Hofveld 6 C1  
1702 Groot Bijgaarden - Belgium  
info.belgium@dwtgroup.com  
Tel. +32 2 4668353



**DAB PUMPS HUNGARY KFT.**  
H-8800  
Nagykanizsa, Buda Ernő u.5  
Hungary  
Tel. +36 93501700



**DAB PUMPS (QINGDAO) CO, LTD.**  
No.40 Kaituo Road, Qingdao Economic & Technological  
Development Zone  
Qingdao City, Shandong Province - China  
PC: 266500  
sales.cn@dwtgroup.com  
Tel. +86 400 186 8280  
Fax +86 53286812210



**DAB PUMPS B.V.**  
Albert Einsteinweg, 4  
5151 DL Drunen - Nederland  
info.netherlands@dwtgroup.com  
Tel. +31 416 387280  
Fax +31 416 387299



**DAB PUMPS POLAND Sp. z o.o.**  
Ul. Janka Muzykanta 60  
02-188 Warszawa - Poland  
polska@dabpumps.com.pl



**DAB PUMPS DE MÉXICO, S.A. DE C.V.**  
Av Amsterdam 101 Local 4  
Col. Hipódromo Condesa,  
Del. Cuauhtémoc CP 06170  
Ciudad de México  
Tel. +52 55 6719 0493



**OOO DAB PUMPS**  
Novgorodskaya str. 1, block G  
office 308, 127247, Moscow - Russia  
info.russia@dwtgroup.com  
Tel. +7 495 122 0035  
Fax +7 495 122 0036



**DAB PUMPS OCEANIA PTY LTD**  
426 South Gippsland Hwy,  
Dandenong South VIC 3175 - Australia  
info.oceania@dwtgroup.com  
Tel. +61 1300 373 677



**DAB PUMPS GMBH**  
Am Nordpark 3  
D - 41069 Mönchengladbach - Germany  
info.germany@dwtgroup.com  
Tel. +49 2161 47388-0  
Fax +49 2161 47388-36



**DAB PUMPS INC.**  
3226 Benchmark Drive  
Ladson, SC 29456 - USA  
info.usa@dwtgroup.com  
Tel. 1- 843-797-5002  
Fax 1-843-797-3366



**PT DAB PUMPS INDONESIA**  
Satrio Tower lantai 26  
unit C-D, Jl. Prof. Dr. Satrio Kav. C4,  
Kel. Kuningan Timur, Kec. Setiabudi, Kota Adm.  
Jakarta Selatan, Prov. DKI Jakarta. - Indonesia  
Tel. +62 2129222850